



*Fédération
Aéronautique
Internationale*

FAI Aerobatics Commission (CIVA)

SUMMARY OF CONCLUSIONS of the 2018 plenary meeting

held in Warsaw, Poland on the
10th and 11th November 2018
at the Airport Hotel Okęcie, Warsaw

*Maison du Sport International
Av. de Rhodanie 54
CH-1007 Lausanne
Switzerland
Tél. +41 (0)21 345 10 70
Fax +41 (0)21 345 10 77
E-mail: info@fai.org
Web: www.fai.org*

Issue 1.1 – 22nd November 2018

1. CIVA Presidents introductory remarks

CIVA approved the second version of the plenary agenda.

President

Nick BUCKENHAM CIVA President

CIVA Bureau Members :

Matthieu ROULET	Vice President
Philippe KÜCHLER	Vice President
Castor FANTOBA	Vice President
Tamás ÁBRÁNYI	Vice President
Florina DANCIULESCU	Treasurer
Hanna RÄIHÄ	Secretary
Zuzana DANIHELOVÁ	Secretary

2. In memoriam

A moment of silence was held to remember our friends and colleagues who passed away in 2017 and 2018:

Peter Wanschura, GER, 21/11/2017

Hermann Liese, GER, 7/2/2018

Igor Turik, RUS, 24/7/2018

Mark Fullerton, USA, 8/8/2018

3. Meeting Introduction

3.1. Roll Call of Delegations

Present: Argentina, Austria, Belarus, Canada, China, Czech Republic, Denmark, Finland, France, Germany, Hungary, Japan, Lithuania, Poland, Romania, Russia, Slovak Republic, Republic of South Africa, Spain, Switzerland, Turkey, Ukraine, United Kingdom, USA

5 proxies were tabled:

Australia	to	Spain
Brazil	to	United Kingdom
Ireland	to	Czech Republic
Norway	to	Finland
Sweden	to	Germany

Apologies for absences: None

TOTAL VOTES: 29, Absolute majority = 15, 2/3 majority = 20

3.2. Minutes of the 2017 Meeting

Comment from MR: 1800 Eur – entry fee for other team members for the WAC 2019 – correction of the figure

The Delegates unanimously approved the Minutes of the 2017 Meeting

3.3. Declaration of Conflicts

No declaration of conflicts.

4. Report from the President of CIVA – Nick Buckenham

Nick Buckenham presented his report.

5. Report from the FAI Representative

Susanne Schödel – FAI General Secretary presented her report.

6. CIVA Working Group Reports

- 6.1. **FPS Working Group (Nick BUCKENHAM)**
- 6.2. **Contest Organizing Working Group (Nick BUCKENHAM)**
- 6.3. **Strategic Working Group (Nick BUCKENHAM)**
- 6.4. **Known Assessment Working Group (Alan CASSIDY)**

Reports approved by CIVA

7. Report on CIVA Finances 2018 – 2019

Nick BUCKENHAM, CIVA President reported on:

- 7.1. **2017 Financial Results**
- 7.2. **2018 CIVA Travel Allowance Programme**
- 7.3. **2018 Budget**

Reports approved by CIVA

8. Reports on the 2017 Championships

8.1. **Reports on the 21st FAI World Glider Aerobatic Championships and 9th FAI World Glider Advanced Aerobatic Championships 2018, Zbraslavice, Czech Republic**

- President of the International Jury (Manfred ECHTER)
- Contest Director (Vladimír MACHULA)
- Chief Judge (Philippe KÜCHLER)

Reports approved by CIVA

8.2. **Reports on the 13th FAI World Advanced Aerobatic Championships (Strejnic, Romania)**

- President of the International Jury (Nick BUCKENHAM)
- Contest Director (László FERENCZ)
- Chief Judge (John GAILLARD)

Reports approved by CIVA

8.3. **Reports on the 21st FAI European Aerobatic Championships (Jindřichův Hradec, Czech Republic)**

- President of the International Jury (Pierre VARLOTEAUX)
- Contest Director (Vladimír MACHULA)
- Chief Judge (Nick BUCKENHAM)

Reports approved by CIVA

8.4. Report on the 29th FAI World Aerobatic Championships (Malelane, Republic of South Africa)

- President of the International Jury (Alan CASSIDY)
Report approved by CIVA

9. Future FAI Aerobatic Championships

9.1. Report of the 22nd FAI World Glider Aerobatic Championships and the 10th FAI World Advanced Glider Aerobatic Championships 2019 (Deva, Romania)

9.2. Report of the 30th FAI World Aerobatic Championships 2019 (Châteauroux, France)

9.3. Report of the 23rd FAI World Glider Aerobatic Championships and the 11th FAI World Advanced Glider Aerobatic Championships 2020 (Terni, Italy)

No report – Italian delegate not present

9.4. 11th FAI European Advanced Aerobatic Championships 2019 (bids invited)

Bid #1 from Poland

Location:		Torun, Poland
Dates:	Training days:	24.7.2019 – 1.8.2019
Contest days:		1.8.2019 – 11.8.2019
Entry fees:	Competitors	1800€ (double room), 2000€ (single)
	Other team members	1600€ (double room), 1800€ (single)
	Families and relatives	1600€ (double room), 1800€ (single)
Judges:		7 teams + CJ team (the additional night covered)

Bid #2 from Czech Republic

Location:		Břeclav, Czech Republic
Dates:	Training days:	24.7.2019 – 30.7.2019
Contest days:		1.8.2019 – 11.8.2019
Entry fees:	Competitors	2000€ (double room), 2200€ (single)
	Other team members	1600€ (double room), 1800€ (single)
Judges:		7 teams + CJ team (the additional night covered)

Required majority 15 votes

POL – 19 Selected for EAAC 2019

CZE – 6

9.5. 2nd FAI World Intermediate World Aerobatic Championships 2019 (bids invited)

BID #1 Czech Republic

Location:		Břeclav, Czech Republic
Dates:	Contest days:	5.7.2019 – 13.7.2019
Entry fees:	Competitors	1900€ (double room), 2000€ (single)
	Other team members	1600€ (double room), 1700€ (single)
	Late payment (5 weeks prior to contest + 200€)	
Judges:		7 teams + CJ team (the additional night covered)

BID #2 Poland

Polish Aeroklub extended the bid for EAAC to host also the Intermediate World Championships

Required majority 15 votes

CZE – 21 Selected for IWAC 2019

POL – 7

9.6. 6th FAI World Yak52 Aerobatic Championships (bids invited)

Preliminary bid for 2020 from Belarus – not approved

Location:		Mogilev, Belarus
Dates:	Training days:	not set
Contest days:		not set
Entry fees:	Competitors	1500€ with renting the AC 1000 with their own AC
	Other team members	1200€
Judges:		7 teams + CJ team (the additional night covered)

9.7. Other future events (bids invited)

WAAC 2022

Bid #1 USA

Location:		Las Vegas
Dates:	Training days:	7.10. – 11.10. 2022
Contest days:		11.10. – 22.10.2022 (break 16.10.)
Entry fees:	Competitors	\$2500
	Other team members	\$2200
	Late payment 22 Aug – 7 Oct 2022 -	
	Competitors	\$2900
	Other team members	\$2600
	Discount	\$100 on any fee paid in full before 8 April

Bid approved by CIVA

WGAC & WAGAC 2021 Bid #1 France

Location:		Issoudun
Dates:	Training days:	29.7.2021 – 4.8.2021
Contest days:		5.8.2021 – 14.8.2021
Entry fees:	Competitors	850€
	Other team members	400€
	Towing	50€ (850 m AGL) 70€ (1,250 m AGL)
Judges:		7 teams + CJ team (the additional night covered)

Bid approved by CIVA

9.8. FAI World Air Games 2020

Markus Haggenev – FAI Sports and Marketing Director presented report on FAI WAG 2020.

10. Reports of other working groups established in 2016

- 10.1. Scoring system Revision Working Group (Matthieu ROULET)
- 10.2. Aircraft Manufacturer Championships Trophy Working Group (Castor FANTOBA)
- 10.3. Private and Commercial Team Working Group (Castor FANTOBA)

11. CIVA Committee Reports & Proposed Rules Changes

11.1. Report of the CIVA Rules Committee (Matthieu ROULET)

NP 2019-1

Source: Belgium #1

Document: Section 6, Part 1 / Part 2

Subject: Known figures – Average K

CIVA agreed by acclamation

NP 2019-3

Source: France #1

Document: Section 6, Part 1 / Part 2

Subject: Order of flights

IN FAVOUR: 12 AGAINST: 9 ABSTAIN: 8

CIVA rejected

NP 2019-4

Source: France #2

Document: Section 6, Part 1

Subject: Limitation to One Programme per Day

IN FAVOUR: 19 AGAINST: 7 ABSTAIN: 3

CIVA agreed

NP 2019-12 & NP 2019-24

Source: Germany #2 & Pres #2

Document: Section 6, Part 1 / Part 2

Subject: Criteria for Rolling Turns

IN FAVOUR: 22 AGAINST: 0 ABSTAIN: 7

CIVA agreed

NP 2019-14

Source: Norway #1

Document Section 6, Part 1 / Part 2

Subject: Marking of Perception Zeros (PZ)

CIVA agreed by acclamation

NP 2019-15

Source: Republic of South Africa #1

Document: Section 6, Part 1

Subject: Trophies

CIVA agreed by acclamation

Summary of Conclusions of the Plenary Meeting of CIVA 2018



NP 2019-18

Source: Spain #3

Document: Section 6, Part 1

Subject: Philosophy regarding Aircraft Restriction

CIVA promotes Option 1 – no restriction

NP 2019-23

Source: President #1

Document: Section 6, Part 1

Subject: Final Freestyle Regulations

IN FAVOUR: 24 AGAINST: 0 ABSTAIN: 5

CIVA agreed

NP 2019-25

Source: President #3

Document: Section 6, Part 1

Subject: Competitors eligibility restrictions

CIVA agreed by acclamation

NP 2019-26

Source: President #4

Document: Section 6, Part 1

Subject: Permitted Breaks

CIVA agreed by acclamation

NP 2019-28

Source: President #6

Document: Section 6, Part 1

Subject: Awards

CIVA agreed by acclamation

NP 2019-29

Source: transferred from SP-2018

Document: Section 6, Part 1 / Part 2

Subject: Air Temperature Limit

The W/G will continue develop this item

NP 2019-30

Source: Transferred from EP-2018

Document: Section 6, Part 1 / Part 2

Subject: Revision to the Rules for Programme-4 “Cut”

IN FAVOUR: 17 AGAINST: 9 ABSTAIN: 2

CIVA adopted

11.2. Report of the CIVA Judging Committee (John GAILLARD)

Report approved by CIVA

11.3. Report of the CIVA Catalogue Committee (Manfred ECHTER)

Report approved by CIVA

11.4. Report of the CIVA Glider Aerobatics Committee (Manfred ECHTER)

NP 2019-1

Same as in Rules Committee Report

CIVA agreed in 11.1

NP 2019-3

Same as in Rules Committee Report

CIVA rejected in 11.1

NP 2019-5

Source: France #3

Document: Section 6, Part 2

Subject: Unknown Figures

IN FAVOUR: 19 AGAINST: 0 ABSTAIN: 10

CIVA agreed

NP 2019-8

Source: France #6

Document: Section 6, Part 2

Subject: Box Outs

CIVA agreed by acclamation

NP 2019-10

Source: France #8

Document: Section 6, Part 2

Subject: Harmony Mark

IN FAVOUR: 8 AGAINST: 11 ABSTAIN: 10

CIVA rejected

NP 2019-11

Source: Germany #1

Document: Section 6, Part 2

Subject: Glider Aerobatic World Championships

IN FAVOUR: 0

CIVA rejected

NP 2019-12

Same as in Rules Committee Report

CIVA agreed in 11.1

NP 2019-13

Source: Germany #3

Document: Section 6, Part 2

Subject: Minimum Number of Teams and Team sizes

IN FAVOUR: 15 AGAINST: 2 ABSTAIN: 8

CIVA agreed

NP 2019-14

Same as in Rules Committee Report

CIVA agreed in 11.1

NP2019-16

Source: Spain #1

Document: N/A

Subject: Glider Aerobatics as Olympic Sport

Supported

NP 2019-20

Source: Spain #5

Document: N/A

Subject: Create World and Continental Ranking

Advisory statement

NP 2019-25

Same as in the Rules Committee Report

CIVA agreed in 11.1

Extra Consultation Item:

Castor FANTOBA posed several questions regarding the future strategic direction of CIVA

Should we aim to put glider aerobatics in the Olympic Games (note – see NP2019-16)?

YES: 28

Supported

Should we aim to:

1) Make commercial components a relevant element, do we want to move towards established motor sport, with the potential integration of Commercial Teams in CIVA structure?

or

2) Remain solely an inter-nation competition?

Option 1: 16 Option 2: 2 Abstain: 10

A study into this matter will be carried out.

Should we create a World and Continental Ranking in Powered Aerobatics, now existing in Gliders?

This must be totally compatible with Intermediate and Advanced Categories.

YES: 26

NO: 0

ABSTAIN: 2

CIVA agreed

Does CIVA plenary see it of value to increase the decision making process to more than once a year?

YES: 21

NO: 2

ABSTAIN: 6

CIVA agreed

Do we approve the use of an electronic platform as a consultation and approval method between Plenary meetings?

YES: 26

NO: 0

ABSTAIN: 3

CIVA agreed

Strategic Proposals of this nature are relevant to Plenary and therefore are to be voted in Plenary?

YES: 26

NO: 0

ABSTAIN: 3

CIVA agreed

11.5. Report of the ICT Committee (Vladimir MACHULA)

Report approved by CIVA

11.6. Safety and Expedited Proposals

No proposals

11.7. URGENT proposals

GAC request: Section 6 Part 2 – CIVA agreed to not record boundary infringements when an electronic tracking system is not used

11.8. President's proposals

A: Paragraph 4.1.5 – Marking of Flight Positioning and Symmetry

CIVA agreed by acclamation

B: Paragraph 4.5.4 – The Official Video Recording

Proposal withdrawn

C: Paragraph B.9.24.4 – Multiple unlinked and opposite rolls

Moved to the judging committee to decide next year

D: Paragraph B.9.8 Family 7.2 – Half Loops with Rolls

CIVA agreed by acclamation

E: New design for CIVA medals

CIVA agreed by acclamation to inform all delegates about the competition for the new design and subsequent selection

F: Eligibility of competitors at proposed CIVA European "Open" Championships

Discussion on this topic will continue in CASI and FAI

12. CIVA Free Known programme figure selections for 2018 (see page 15)

Power Unlimited Free Known Programme

Proposal A selected

Power Advanced Free Known Programme

Proposal C selected

Yak 52 and Intermediate Free Known Programme

Proposal A selected

Advanced Glider Free Known Programme

Proposal 2 selected

Unlimited Glider Free Known Programme

Proposal 2 selected

13. FAI Special Aerobatic Events (FSAE) 2019

Report approved by CIVA

14. List of FAI International Aerobatic Judges

The current list is outdated, and a major overhaul required – JC to develop for 2019 use.

15. Other Reports and Business

15.1. FAI/Aresti Committee Report 2017 (John GAILLARD)

Report approved by CIVA

15.2. Contest Scoring Programme Report 2017 (Nick BUCKENHAM)

Report approved by CIVA

15.3. Championship Organiser of the Year Trophy for 2017 (Nick BUCKENHAM)

- This trophy was awarded to the Organiser of the 13th FAI World Advanced Aerobatic Championships Laszlo Ferenc and his team from Romania

15.4. Leon Biancotto Diploma (Nick BUCKENHAM)

- Leon Biancotto: CIVA will submit a proposal and a rationale to FAI for the 2019 award.

15.5. Replacement of the Strössenreuther Trophy (John GAILLARD)

- CIVA agreed to replace the trophy.
- Castor Fantoba to investigate possible solutions / cost. Some funding possible from CIVA project A/c.

15.6. Other Reports / Business

- CIVA received no further reports or business from the plenary.

16. CIVA Elections for 2018

Note: 27 votes, absolute majority: 14

President:

Nick BUCKENHAM Elected 2017 for 2018-2019, by acclamation

Vice Presidents:

Matthieu ROULET Elected 2017 for 2018-2019
Phillipe KÜCHLER Elected 2017 for 2018-2019
Castor FANTOBA Elected 2018 for 2019-2020
Tamás ÁBRÁNYI Elected 2018 for 2019-2020

Secretaries:

Zuzana DANIHELOVÁ Elected 2017 for 2018-2019
Hanna RÄIHÄ Elected 2018 for 2019-2020

Treasurer:

Jürgen LEUKEFELD Elected 2018 for 2019-2020

Rules Committee

Chairman: Matthieu ROULET, by acclamation

Members: Philippe KÜCHLER
Elena KLIMOVICH
Nick BUCKENHAM
Pierre VALOTEAUX
Jürgen LEUKEFELD

Judging Committee

Chairman: Pierre VARLOTEAUX

Members: Philippe KÜCHLER
Jürgen LEUKEFELD
John GAILLARD
Mikhail MAMISTOV
Vladimír MACHULA

Glider Aerobatic Committee

Chairman: Manfred ECHTER
Members: Madelyne DELCROIX
Pekka HAVBRANDT
Philippe KÜCHLER
Jerzy MAKULA
Ferenc TOTH

Catalogue Committee

Chairman: Manfred ECHTER
Members: Madelyne DELCROIX
Pekka HAVBRANDT
Brian HOWARD
Pierre VARLOTEAUX
Anatoly BELOV

ICT Committee

Chairman: Vladimír MACHULA
Members: Nick BUCKENHAM
Philippe KÜCHLER
Peter ROUNCE
Kari KEMPPI

17. Appointment and Approval of Championships Officials

17.1. 22nd FAI World Glider Aerobatic Championships and 10th FAI World Advanced Glider Aerobatic Championships, Deva, Romania

President of the International Jury: Manfred ECHTER
Members: Tamás ÁBRÁNYI
Madelyne DELCROIX
Chief Judge: Philippe KÜCHLER

17.2. 30th FAI World Aerobatic Championships, Chateauroux, France

President of the International Jury: Vladimír MACHULA
Members: Pierre VARLOTEAUX
Philippe KÜCHLER
Chief Judge: Nick BUCKENHAM

17.3. 11th FAI European Advanced Aerobatic Championships, Torun, Poland

President of the International Jury: Nick BUCKENHAM
Members: Elena KLIMOVICH
Pierre VARLOTEAUX
Chief Judge: Pavol KAVKA

17.4. 2nd FAI World Intermediate Aerobatic Championships, Břeclav, Czech Republic

President of the International Jury: Philippe KÜCHLER
Members: Tamás ÁBRÁNYI
Elena KLIMOVICH
Chief Judge: John GAILLARD

18. Date and Place of Future Plenary Meeting

Place: London (GBR)

Date: 9.-10.11.2019

Submitted for approval

Hanna RÄIHÄ

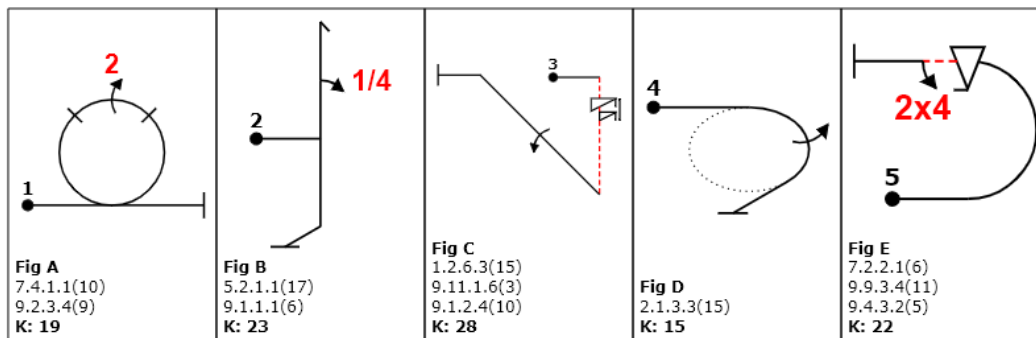
Zuzana DANIHELOVÁ

Secretaries of CIVA

The "Known" figures specified by CIVA for Free Known programmes in 2019 are:

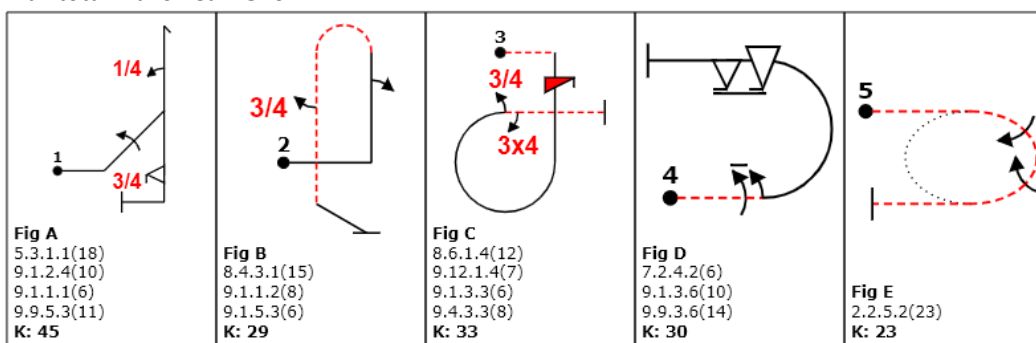
Intermediate power / Yak-52 category

Max total K allowed = 200



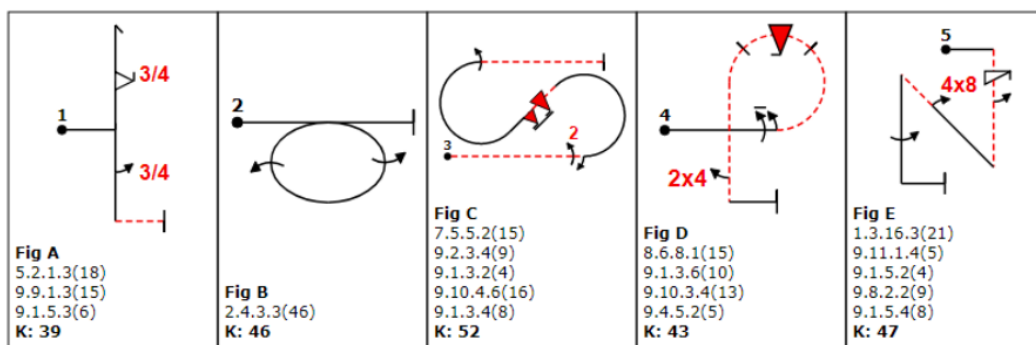
Advanced power category

Max total K allowed = 320



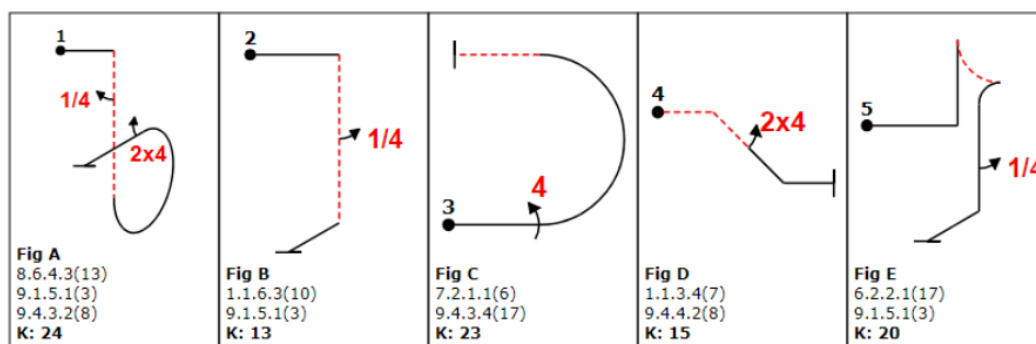
Unlimited power category

Max total K allowed = 450



Advanced glider category

Max total K allowed = 175

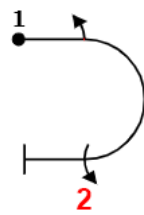
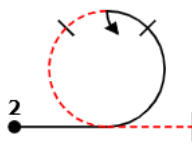
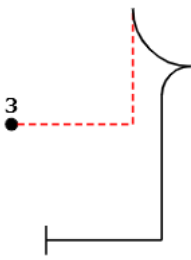
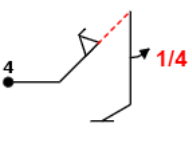
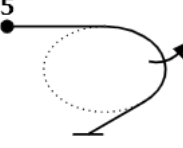


Summary of Conclusions of the Plenary Meeting of CIVA 2018



Unlimited glider category

Max total K allowed = 230

 <p>Fig A 7.2.3.3(6) 9.1.3.2(6) 9.2.3.4(14) K: 26</p>	 <p>Fig B 7.4.2.1(12) 9.1.3.2(6) K: 18</p>	 <p>Fig C 6.2.1.4(22) K: 22</p>	 <p>Fig D 1.2.3.1(12) 9.9.2.2(15) 9.1.5.1(3) K: 30</p>	 <p>Fig E 2.1.3.3(21) K: 21</p>
----------------------------------------------------------------------------------------------------------------------------------------------------------------------	-------------------------------------------------------------------------------------------------------------------------------------------------------	----------------------------------------------------------------------------------------------------------------------------------------	------------------------------------------------------------------------------------------------------------------------------------------------------------------------	------------------------------------------------------------------------------------------------------------------------------------------